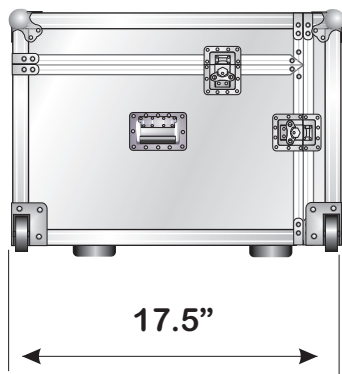
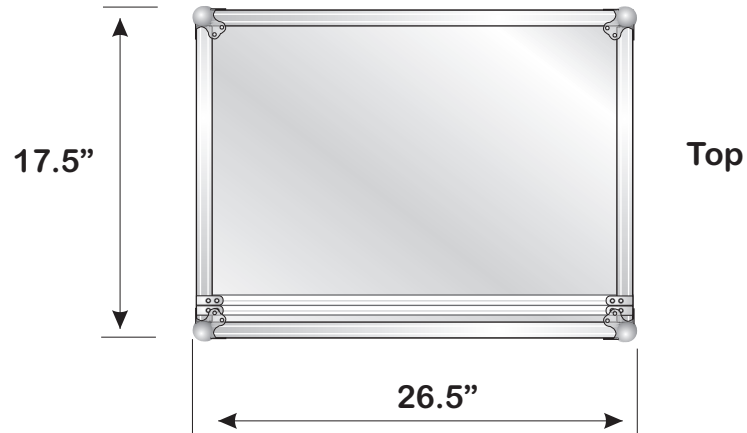
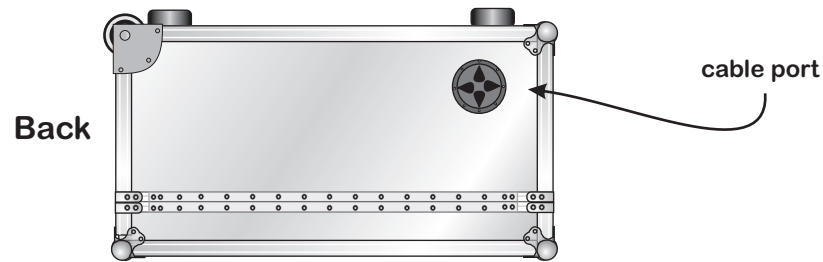


Tricaster Mini HD 4

All measurements are approximate maximum outside dimensions
Specifications subject to change with out notice
Drawing NOT to scale

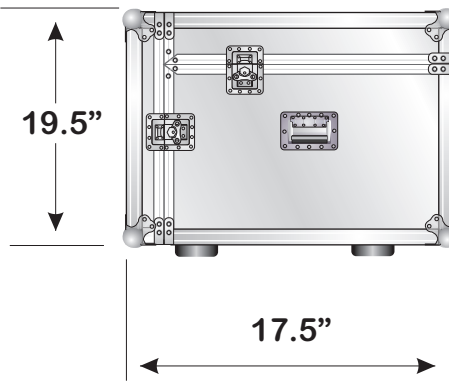
NOTE: For Total Height add 1" for rubber feet and recessed casters.



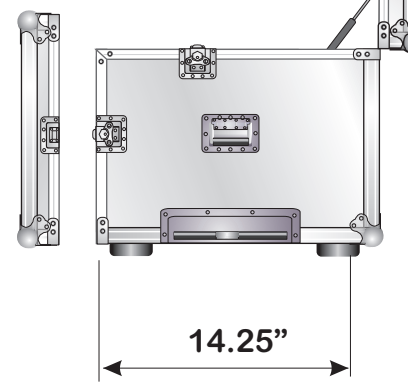
Left Side



Front

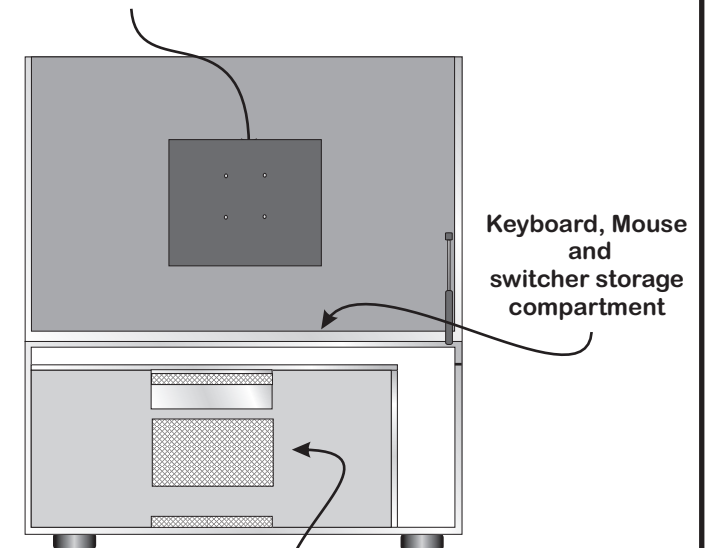


Right Side



Right Side

VESA mount plate



Mini HD4 locked in place during transport with foam blocks top, bottom and on partition wall and a contoured foam block in the removable front lid
Front