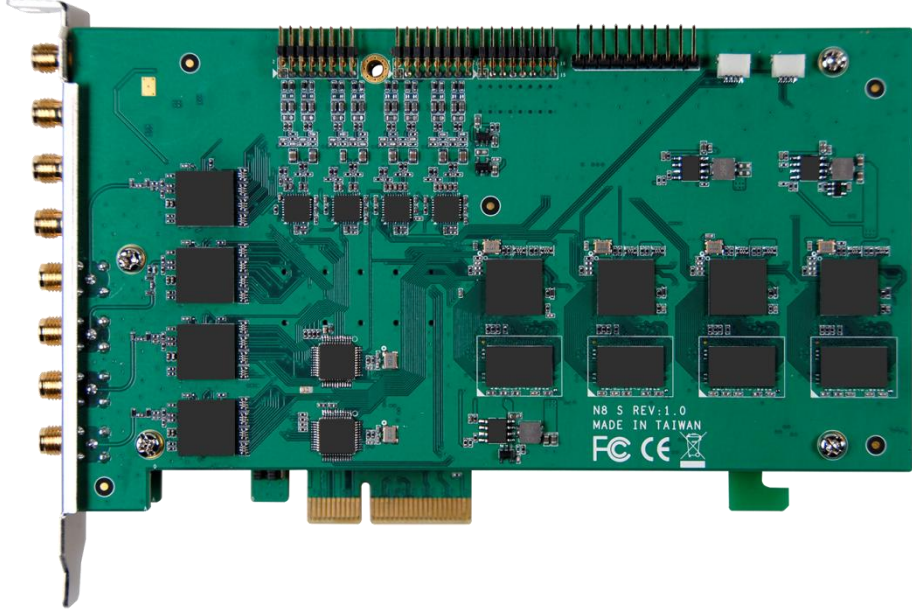


SC542 Product Series Hardware Specification	
Model	SC542 N8 SDI
Max. FPS	1920x1080p@60/50fps in → 1920x1080p@60/50fps out
Recording Mode	Software Compression, Real-Time Mode
Product photo	
Dimension	167.65 x 101.03(mm) PCIE full height
Interface	PCIe x4 (Gen2)
Video Input	8 x SDI
Video RAW Data Format	YV12,NV12,YUY2,RGB24,RGB32
Video RAW Data Resolution	<p><u>3G-SDI</u> 1920x1080p@60/50fps</p> <p><u>HD-SDI</u> 1920x1080p@30/25/24fps 1920x1080i@60/50fps 1280x720p@60/50fps</p> <p><u>SD-SDI</u> 720x480i@60fps 720x576i@50fps</p>
Recording Video Format	H.264 (Software Compression)
Recording Video Resolution	<p><u>3G-SDI</u> 1920x1080p@60/50fps</p> <p><u>HD-SDI</u> 1920x1080p@30/25/24fps 1920x1080i@60/50fps 1280x720p@60/50fps</p> <p><u>SD-SDI</u> 720x480i@60fps 720x576i@50fps</p>
Audio Input	8 x SDI Embedded audio
Audio Format	Stereo / 16-bit / 32000 ~ 48000Hz
I/O	16
Multiple Cards	∞

SDK	VC++ / C# / .NET / VB / V4L2
System Requirement	
OS Support	Windows XP / Vista / Windows 7 Windows 8 / Windows 8.1/ Windows 10 Linux 2.6.14 or Higher (32-bit and 64-bit)



Phone: 416-690-1690 or 1-800-567-8481

Email: info@videolink.ca Website: www.videolink.ca