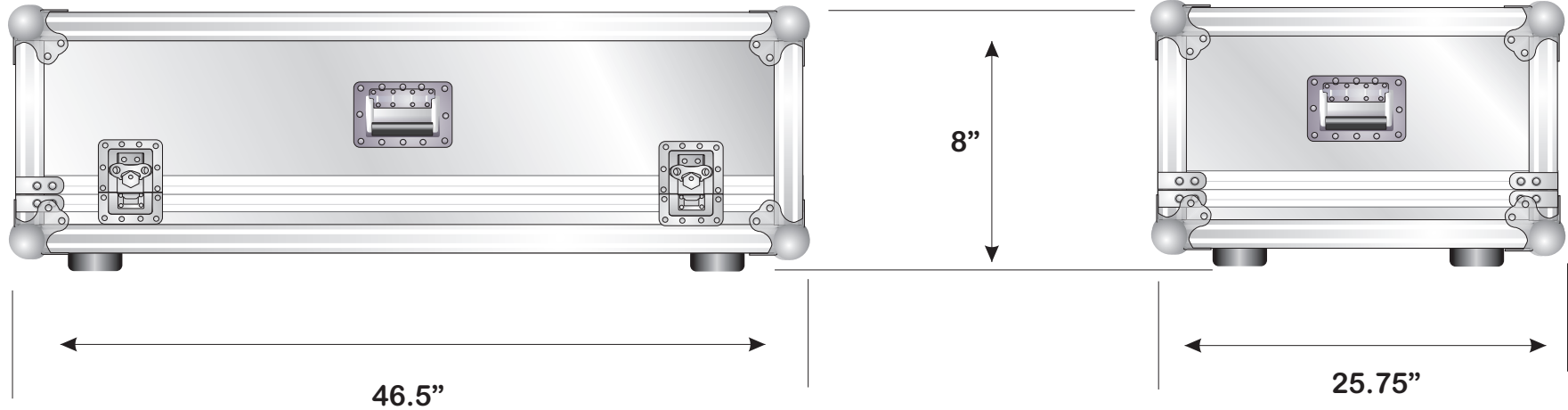


4 Stripe IP Control Surface Case

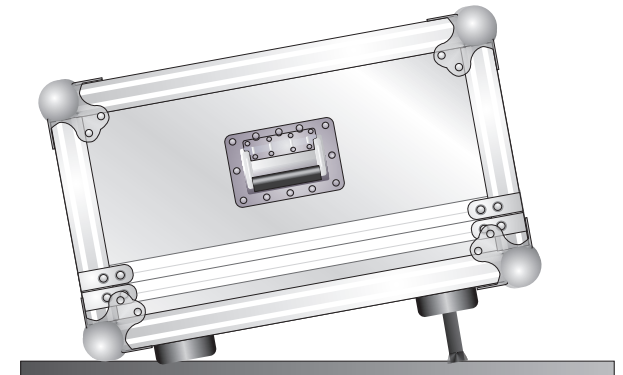
FRONT

END



Materials:

- Basic case Heavy Duty ATA in 1/4" ABS/Birch laminate
-
- Interior sidewalls lined with 1.5" PE and Ester foam
- Lid side foam 1.5" Ester foam and top foam is 1" ester foam additional top perimeter PE foam contacts console edge only
-



The case features a recessed retractable tilt foot to raise the rear of the case by 10 degrees.

Specifications Subject to change with out notice
Drawing NOT to scale



VIDEOLINK Inc.

Portable Production and Streaming

www.videolink.ca

Manufactured by: **Claydon** Custom Case Co. Ltd.